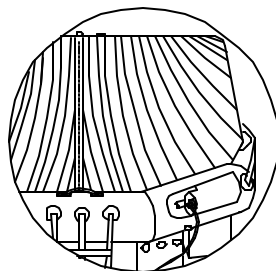


Shown with Optional Equipment
NOT TO SCALE



→
Front View
Closed Canopy

STANDARD EQUIPMENT Includes:

- CO₂/N₂ Inflation System w/ Oversized Buoyancy Tube Twin Safety Air Chambers
- Three (3) Position (Closed, Sail & Convertible) Heavy Duty, Dual Color Canopy w/ Cinch Strap
- Sure-Seal™ Closures w/ #10 YKK Heavy Duty Zippering
- Dual Main Zipper w/ Ventilation Tie Backs
- Single Arch, Auto Inflatable, Canopy Support System
- Oversized Front Boarding Entry w/ 3 Rung Boarding Ladder
- Interior Assist Ladder w/ Quick-Release Fittings
- Bowed Boarding Assist Handle
- Combination Foul Weather Observation Port Hole & Water Collection System w/ Sure-Seal™ Closures
- Water Activated Interior/Exterior Survivor Locator Lights
- Quick-Grab™ Pelican® Super MityLite™ Flashlight On Arch
- Auto-Deploying Conical Drogue (Sea-Anchor) w/ 25' Line & Dual Anti-Foul Swivels
- 75' Floating Heaving Trailing Line w/ Buoyant Throwing Handle
- 35' Painter Line w/ Quick-Release Fittings
- Heavy Duty EZGrip™ Righting Line w/ Contrasting Bowed Hand Grips
- Unidirectional Retro/Radar Reflective Segment Across Arch
- Unidirectional Retro Reflective Segments under Life Raft & On Canopy
- Tri-Ballast System™
- 1" Exterior Lifelines & Interior Grasp Lines
- Pressure Relief Valves
- Topping-Up Valves
- Urethane Valise
- Basic General Aviation Survival Equipment Package As Listed Below

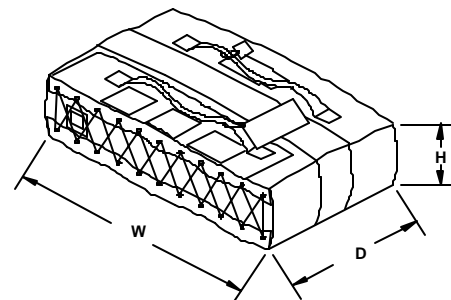
WINSLOW Model #	Rated Capacity	Overload Capacity	Dimensions			Weight
			H	x D	x W	
46GAST	4	6	9.5"	14"	24"	39 lb.
69GAST	6	9	10"	15"	24"	42 lb.
812GAST	8	12	10"	16"	25"	46 lb.

Weights Are Approximate

Basic General Aviation Survival Equipment Package Includes:

(Exceeds FAR Part 91)

- | | |
|--|--|
| <ul style="list-style-type: none"> ① Manual Inflation Pump – Spring Loaded Return w/ Adapter ① Repair Kit (Includes: Repair Tape, Repair Clamp (3") & 2 PRV Plugs w/ Tether) ① Collapsible Bailer Bucket w/ Handle ② Sponges ② Paddles w/ Retro Reflective Segments ① Signal Mirror ① USCG/SOLAS Whistle ① Extended Life Flashlight (Sealed Case) ② Spare Alkaline Batteries & Spare Super MityLite™ Xenon Bulb Assembly ③ USCG Aerial Meteor Flares | <ul style="list-style-type: none"> ③ USCG Hand Held Locator Flares ① Orange Smoke Signal ① Rescue Streamer™ Ribbon (6" x 25') ① Retaining Line (75') ● Water Rations (4oz./Person) ● Food Ration Bars (250 Cal./Person) ● Anti-Seasickness Tablets (6/Person) ① First Aid Kit ① Fishing Kit ① Raft Knife ① Utility Knife (SS Lockback) ① Survival Manual ① Bible ① Oral Inflation Tube |
|--|--|



NOT TO SCALE

Available Optional Equipment

Fixed Life Raft Equipment	
	Canopy - HD Tripod Arch Tube
	Canopy Mounted Strobe
	Lifelines/Grasplines - Heavy Duty 2"- Upgrade
	StoreSafe™ Dry Survival Gear Stow Pockets (3)
Life Raft Pack Options	
	Valise - Additional Handles (Set of Two)
	Valise Custom Dimensional Packing
Electronic Devices	
	406 EPIRB
	406 GPIRB
	ELT – Dual Frequency (121.5/243.0 Mhz)
	ELT – Triple Frequency w/Voice (121.5/243.0/406 Mhz)
Repair Equipment	
	Repair Clamp, Mil Spec - 3" (Additional)
	Repair Clamp, Mil Spec - 5"

Signaling Devices	
	Cyalume Stick (Red)
	Flare - Parachute USCG/SOLAS
	Flare - Red Hand Held Locator – USCG (Additional)
	Flare – Red Aerial Meteor (Additional)
	Flare Upgrade (USCG/SOLAS Hand Held Locator Flares)
	Rescue Streamer™ High Visibility Ribbon (11" x 40')
First Aid Equipment	
	First Aid Kit (USCG) - Upgrade
	Multi-Purpose Poly Bag (18" x 13" x 6 Mil)
	Sun Block (Minimum 30 SPF)
Hypothermia Protection	
	Thermal Protection Aid - Reflective Blanket
	I2DF™ Inflatable Insulated Double Floor – 4 person
	I2DF™ Inflatable Insulated Double Floor – 6 person
	I2DF™ Inflatable Insulated Double Floor – 8 person
Miscellaneous Survival Supplies	
	Fishing Kit (USCG) - Upgrade
	Water Storage Bag (2 gallon)
	Watermaker - "06"
	Playing Cards (Waterproof)
	Inflate-A-Potty w/ 3 Inserts

WINSLOW® LifeRaft Company reserves the right to substitute comparable brands when necessary.



<p>IF THIS DOCUMENT HAS BEEN TRANSFERRED TO YOU ELECTRONICALLY, WINSLOW® RETAINS THE OFFICIAL RECORD. SUBSEQUENT ALTERATIONS WILL BE DISREGARDED. RATES SUBJECT TO CHANGE WITHOUT NOTICE.</p>
