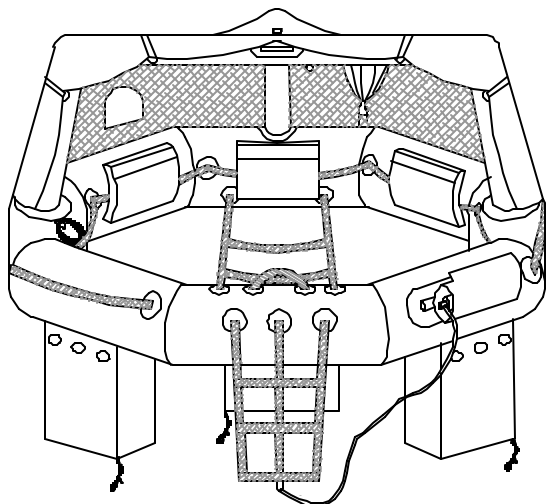
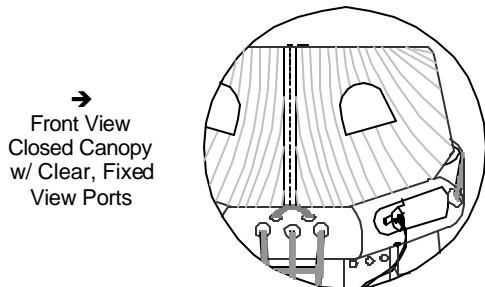


STANDARD EQUIPMENT Includes:

- CO₂/N₂ Inflation System w/ Oversized Buoyancy Tube w/ Twin Safety Air Chambers
- Three (3) Position (Closed, Sail & Convertible) Heavy Duty, Dual Color Canopy w/ Cinch Strap
- Sure-Seal™ Closures w/ #10 YKK Heavy Duty Zippering
- Dual Main Zipper w/ Ventilation Tie Backs
- Single Arch, Auto Inflatable, Canopy Support System
- Oversized Front Boarding Entry w/ 3 Rung Boarding Ladder
- Interior Assist Ladder w/ Quick-Release Fittings
- Two (2) Front Viewing Ports - Fixed
- One (1) Rear Viewing Port - Fixed
- Bowed Boarding Assist Handle
- Combination Foul Weather Observation Port Hole & Water Collection System w/ Sure-Seal™ Closures
- Water Activated Interior/Exterior Survivor Locator Lights
- Quick-Grab™ Pelican® Super MityLite™ Flashlight On Arch
- Auto-Deploying Conical Drogue (Sea-Anchor) w/ 25' Line & Dual Anti-Foul Swivels
- 75' Floating Heaving Trailing Line w/ Buoyant Throwing Handle
- 35' Painter Line w/ Quick-Release Fittings
- Heavy Duty EZGrip™ Righting Line w/ Contrasting Bowed Hand Grips
- Unidirectional Radar/Retro Reflective Segment Across Arch
- Unidirectional Retro Reflective Segments under Life Raft & On Canopy
- Tri-Ballast System™
- 1" Exterior Lifelines & Interior Grasp Lines
- Pressure Relief Valves
- Topping-Up Valves
- Urethane Valise
- Basic General Aviation Survival Equipment Package As Listed Below



Shown with Optional Equipment
NOT TO SCALE



→ Front View
Closed Canopy
w/ Clear, Fixed
View Ports

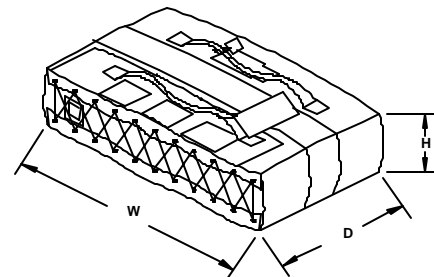
WINSLOW Model #	Rated Capacity	Overload Capacity	Dimensions			Weight
			H	x D	x W	
46GASTP	4	6	10"	15"	24"	41 lb.
69GASTP	6	9	10"	16"	25"	45 lb.
812GASTP	8	12	10.5"	17"	25"	49 lb.

Weights Are Approximate

Basic General Aviation Survival Equipment Package Includes:

(Exceeds FAR Part 91)

- ① Manual Inflation Pump – Spring Loaded Return w/ Adapter
- ① Repair Kit (Includes: Repair Tape, Repair Clamp (3") & 2 PRV Plugs w/ Tether)
- ① Collapsible Bailer Bucket w/ Handle
- ② Sponges
- ② Paddles w/Retro Reflective Segments
- ① Signal Mirror
- ① USCG/SOLAS Whistle
- ① Extended Life Flashlight (Sealed Case)
- ② Spare Alkaline Batteries & Spare Super MityLite™ Xenon Bulb Assembly
- ③ USCG Aerial Meteor Flares
- ⑥ USCG Hand Held Locator Flares
- ① Orange Smoke Signal
- ① Rescue Streamer™ Ribbon (6" x 25')
- ① Retaining Line (75')
- Water Rations (4oz./Person)
- Food Ration Bars (250 Cal./Person)
- Anti-Seasickness Tablets (6/Person)
- ① First Aid Kit
- ① Fishing Kit
- ① Raft Knife
- ① Utility Knife (SS Lockback)
- ① Survival Manual
- ① Bible
- ① Oral Inflation Tube



NOT TO SCALE

Available Optional Equipment

Fixed Life Raft Equipment	
	Canopy - HD Tripod Arch Tube
	Canopy Mounted Strobe
	Lifelines/Grasplines - Heavy Duty 2"- Upgrade
	StoreSafe™ Dry Survival Gear Stow Pockets (3)
Life Raft Pack Options	
	Valise - Additional Handles (Set of Two)
	Valise Custom Dimensional Packing
Electronic Devices	
	406 EPIRB
	406 GPIRB
	ELT – Dual Frequency (121.5/243.0 Mhz)
	ELT – Triple Frequency w/Voice (121.5/243.0/406 Mhz)
Repair Equipment	
	Repair Clamp, Mil Spec - 3" (Additional)
	Repair Clamp, Mil Spec - 5"

Signaling Devices	
	Cyalume Stick (Red)
	Flare - Parachute USCG/SOLAS
	Flare - Red Hand Held Locator - USCG/SOLAS
	Flare Upgrade (USCG/SOLAS Hand Held Locator Flares)
	Rescue Streamer™ High Visibility Ribbon (11" x 40')
First Aid Equipment	
	First Aid Kit (USCG) - Upgrade
	Multi-Purpose Poly Bag (18" x 13" x 6 Mil)
	Sun Block (Minimum 30 SPF)
Hypothermia Protection	
	Thermal Protection Aid - Reflective Blanket
	I2DF™ Inflatable Insulated Double Floor – 4 person
	I2DF™ Inflatable Insulated Double Floor – 6 person
	I2DF™ Inflatable Insulated Double Floor – 8 person
Miscellaneous Survival Supplies	
	Fishing Kit (USCG) - Upgrade
	Water Storage Bag (2 gallon)
	Watermaker - "06"
	Playing Cards (Waterproof)
	Inflate-A-Potty w/ 3 Inserts

WINSLOW® LifeRaft Company reserves the right to substitute comparable brands when necessary.



<p>IF THIS DOCUMENT HAS BEEN TRANSFERRED TO YOU ELECTRONICALLY, WINSLOW® RETAINS THE OFFICIAL RECORD. SUBSEQUENT ALTERATIONS WILL BE DISREGARDED. RATES SUBJECT TO CHANGE WITHOUT NOTICE.</p>
